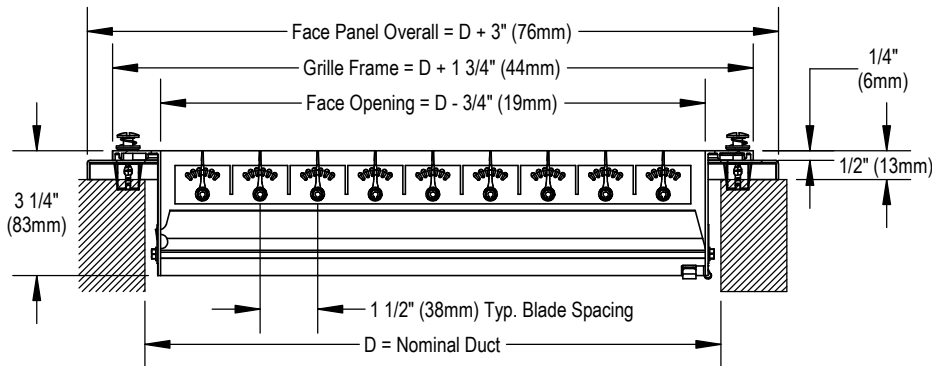
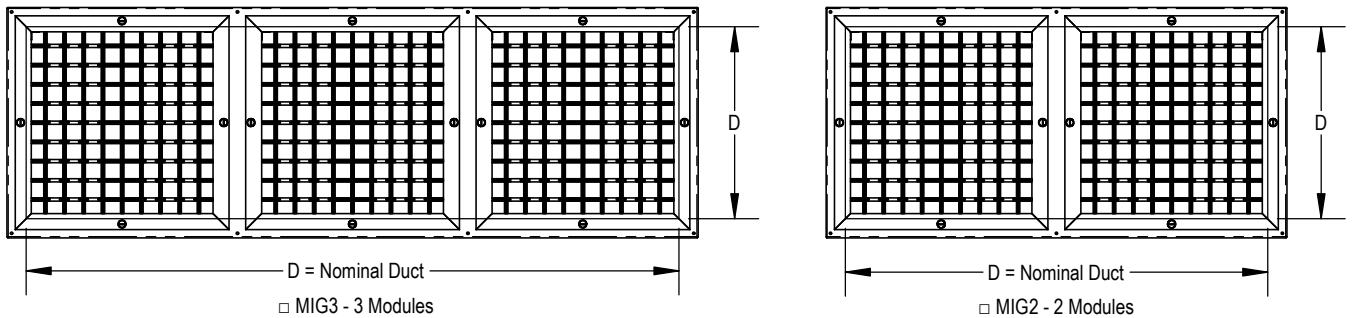
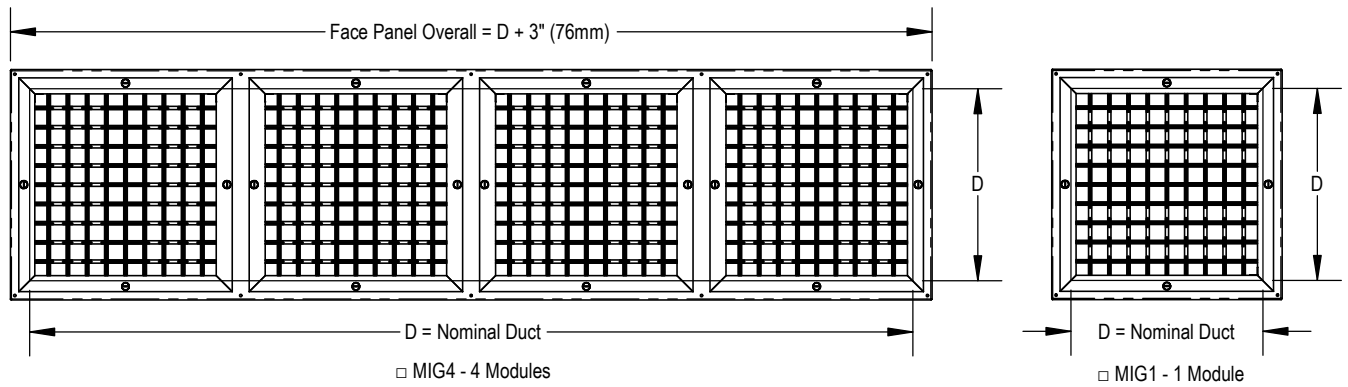


MIG - Modular Industrial Grille



MATERIAL:

- Panel: Steel construction
- Blades and Frames: Extruded aluminum
- Indexing Device: Stainless steel
- Fasteners: Coated steel

FINISH:

- Standard finish:
- B12 - Standard White

Optional finishes available:

- Optional colors
 - Custom colors
 - See finishes brochure for additional information
- Contact your Price representative for leadtimes and pricing

NOTES:

- Factory tolerance: $\pm 1/32''$ (1mm)

Listed Duct Size 'D'	'D' - Duct Dimensions			
	MIG1 - 1 Module	MIG2 - 2 Module	MIG3 - 3 Module	MIG4 - 4 Module
8" (203mm)	8" (203mm)	19" (483mm)	30" (762mm)	41" (1041mm)
10" (254mm)	10" (254mm)	23" (584mm)	36" (914mm)	49" (1245mm)
12" (305mm)	12" (305mm)	27" (686mm)	42" (1067mm)	57" (1448mm)
15" (381mm)	15" (381mm)	33" (838mm)	51" (1295mm)	69" (1753mm)



Scan for link to additional product information and installation instructions

ALL METRIC DIMENSIONS () ARE SOFT CONVERTED. IMPERIAL DIMENSIONS ARE CONVERTED TO METRIC AND ROUNDED TO THE NEAREST MILLIMETER

PROJECT:		PRICE
ENGINEER:		
CUSTOMER:		<i>MJ</i>
SUBMITTAL DATE:		219676
SPEC. SYMBOL:		JAN. 2024
		MIG Series Modular Industrial Grille